

MSA 710, MSA 810

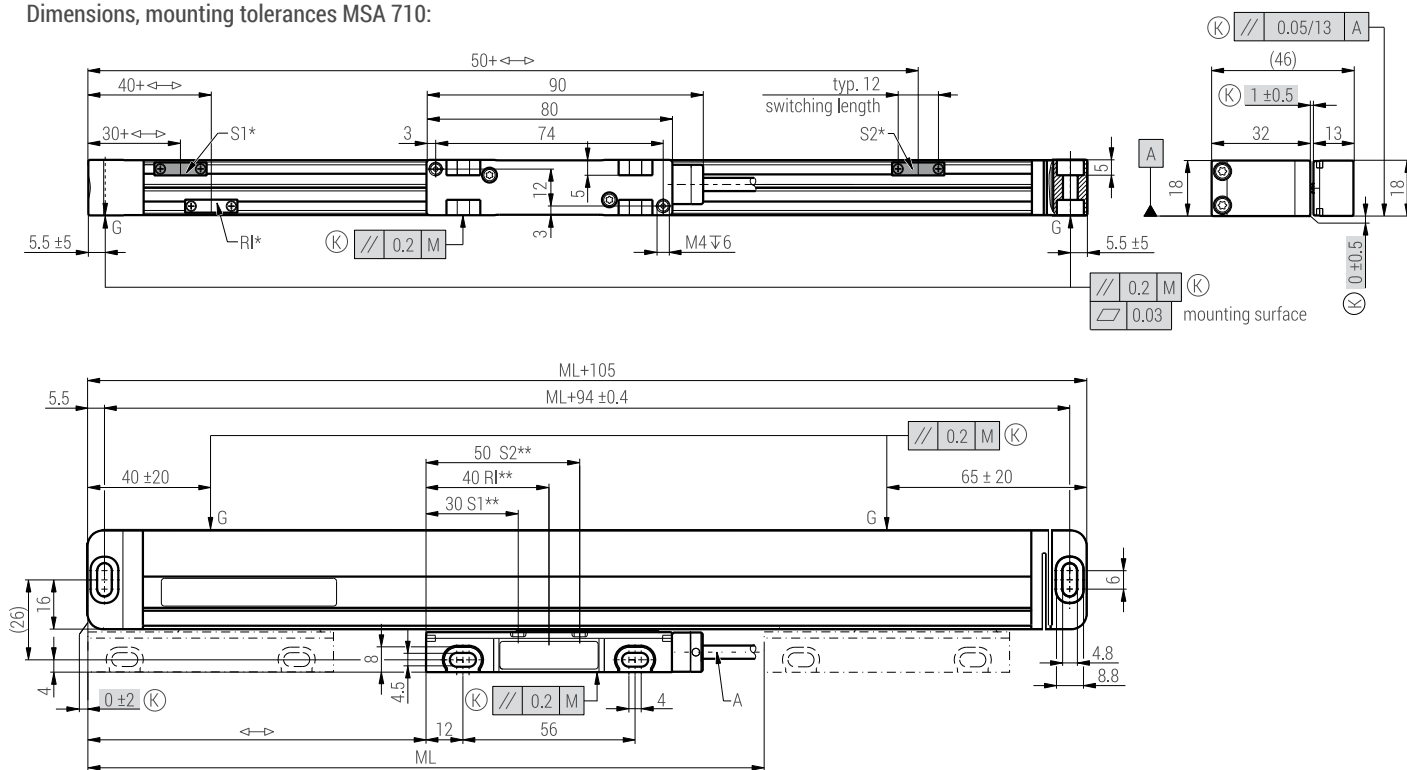
MSA 710



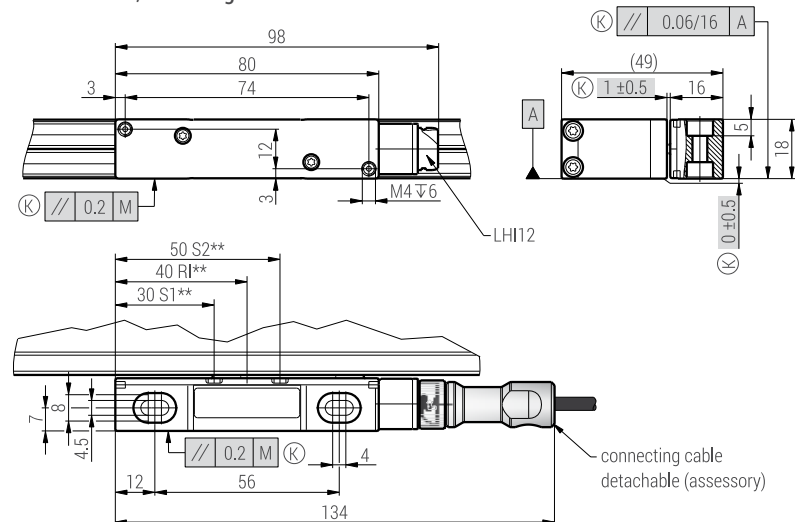
MSA 810



Dimensions, mounting tolerances MSA 710:



Dimensions, mounting tolerances MSA 810:



- M = machine guideway
- ML = measuring length
- G = gauging points
- ↔ = 0 ... ML
- A = cable

LHI12 = male connector

(K) = required mating dimensions

OPTIONAL:

S1, S2 = switch signals

RI = selectable reference mark

* = actuator magnet

** = sensor position