

MSA 731, MSA 831

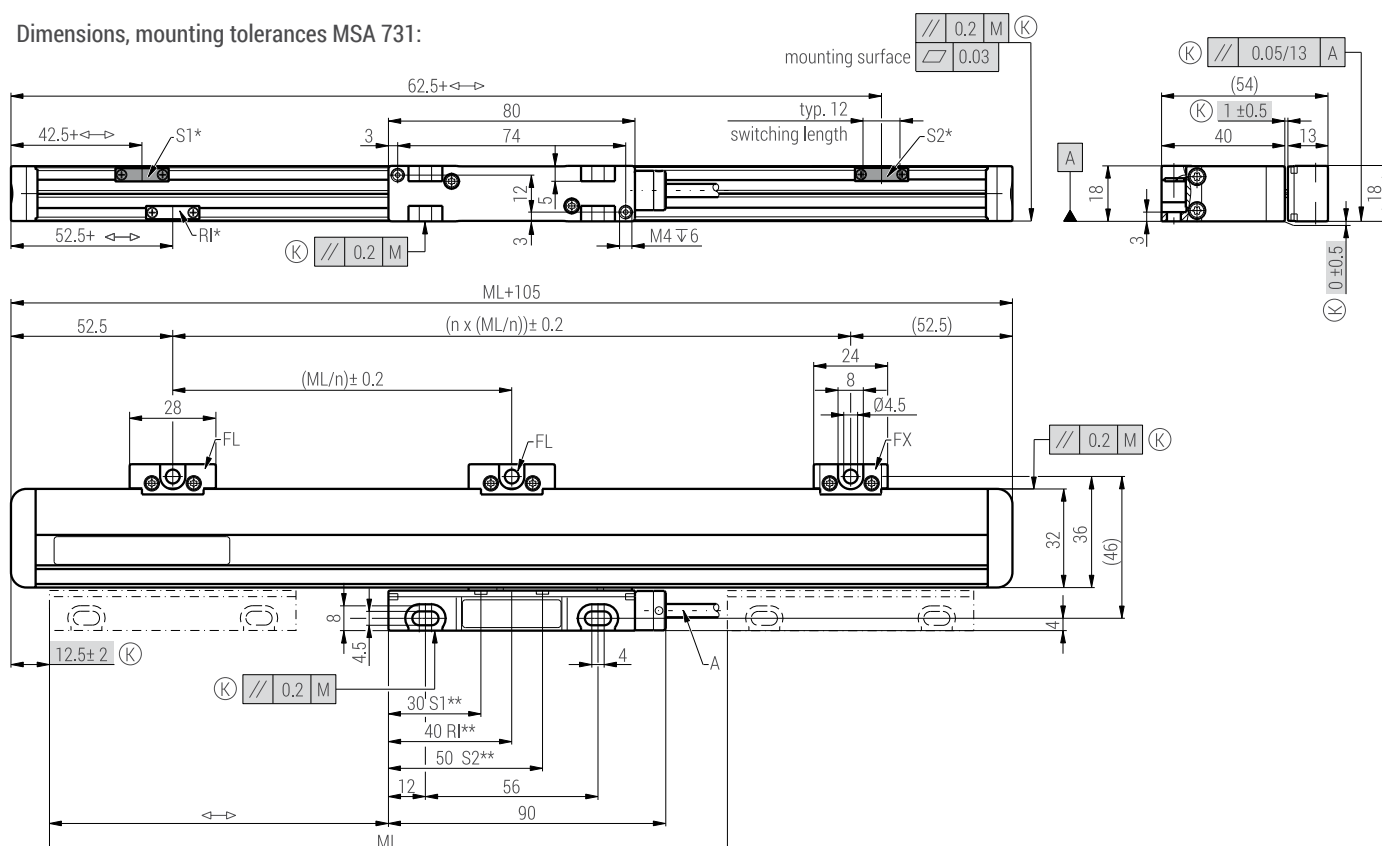
MSA 731



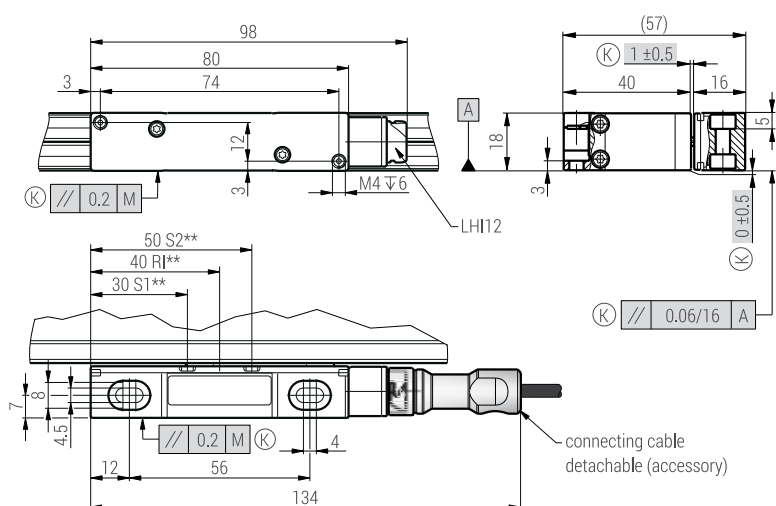
MSA 831



Dimensions, mounting tolerances MSA 731:



Dimensions, mounting tolerances MSA 831:



measuring length (ML)	n
ML > 56 - 600	2
ML > 600 - 1200	4
ML > 1200 - 1800	6
ML > 1800 - 2400	8
ML > 2400 - 3000	10
ML > 3000 - 3040	12

- M = machine guideway
- ML = measuring length
- ↔ = 0 ... ML
- A = cable

LHI12 = male connector

(K) = required mating dimensions

- FX = fixed mounting
- FL = flexible mounting

OPTIONAL:

- S1, S2 = switch signals
- RI = selectable reference mark

- * = actuator magnet
- ** = sensor position