

MSD 10 INCREMENTAL SCALE FOR HEDS 9200 MODULE

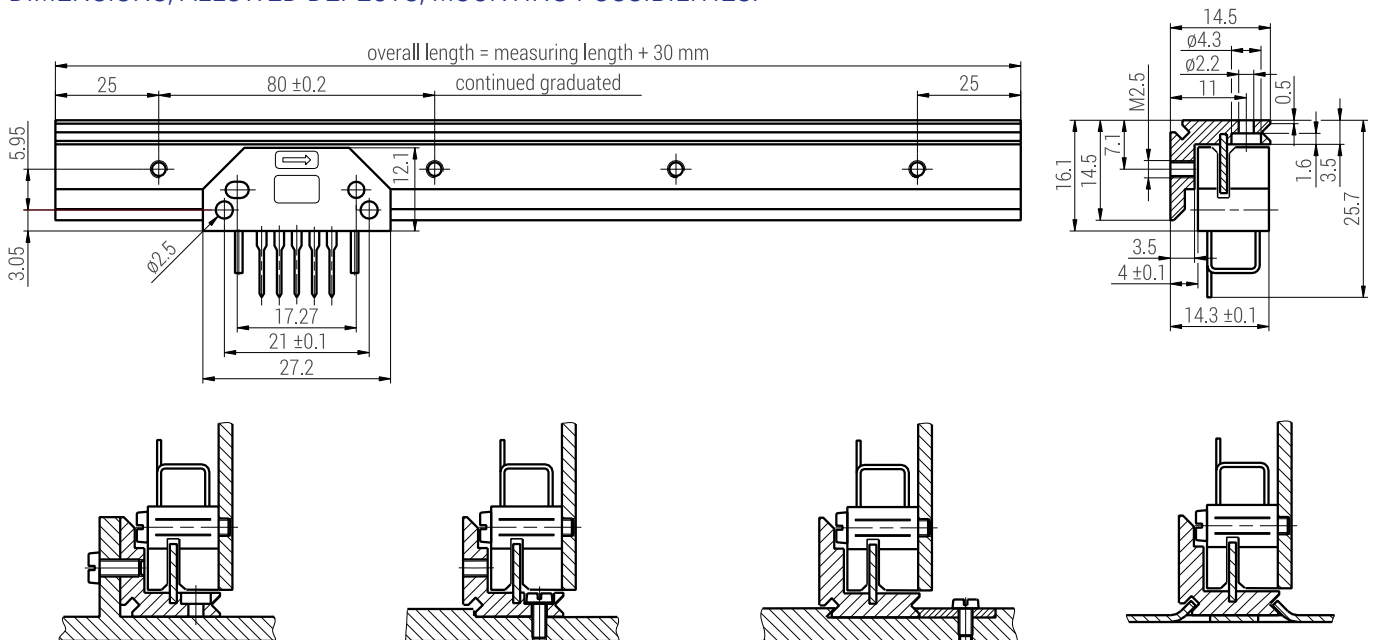
MECHANICAL SPECIFICATIONS:

- Grating pitch: 100 : 100 μm
- Accuracy grades: 5 or 10 $\mu\text{m}/\text{m}$
- Standard measuring lengths: [mm]
100, 180, 260, 340, 420, 500, 740, 980, 1160
(other lengths on request)

ELECTRICAL SPECIFICATIONS:

- Output signals:
Square-wave signals from built-in subdividing electronics (single)
- Power supply:
+5V $\pm 5\%$. max. 100 mA
- Connection possibilities:
Directly to NC or DRO

DIMENSIONS, ALLOWED DEFECTS, MOUNTING POSSIBILITIES:



SPECIFICATIONS OF SCALE:

Material:

- Selected floatglass
- Planeness: 10 $\mu\text{m}/100 \times 100 \text{ mm}$
- Coefficient of expansion $\alpha \approx 8.5 \times 10^{-6}/\text{K}$
- Width of glass: 8 mm $+0/-0.2 \text{ mm}$
- Glass-thickness: 0.9 $\pm 0.1 \text{ mm}$

Grating:

- Line : width ratio = 1 : 1
- Tolerance of line-width: max. $\pm 10 \%$
- Sputtered chromium on glass
- Transmission: $< 0.3 \%$ at $\lambda = 400 - 900 \text{ nm}$
- Reflexion $> 60 \%$ at 400 – 900 nm

Scale on profile:

Connection scale to profile with rubber-cord