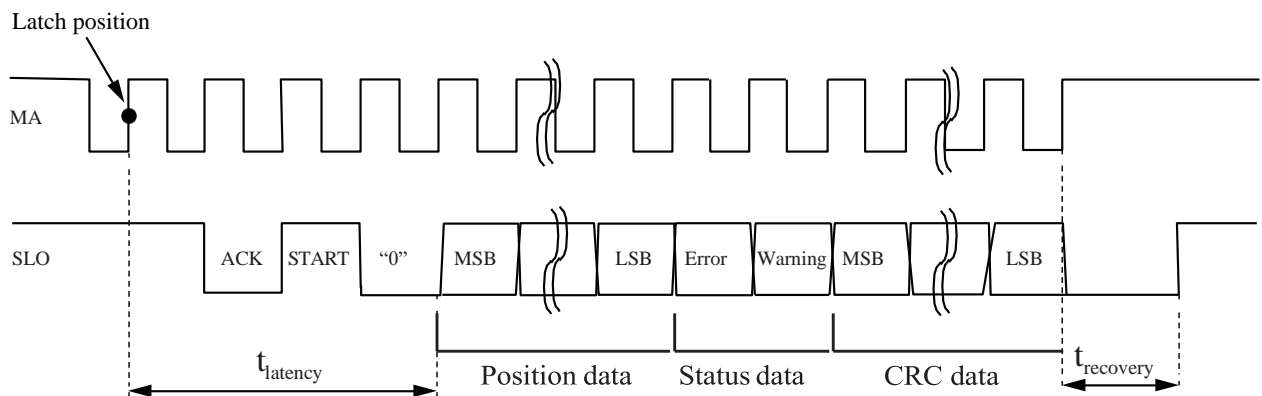


BiSS C-mode (unidirectional) for Absolute exposed encoders MC15 B / MCS15 B

Communication protocol:

Type of interface	BiSS-C unidirectional (point to point)
Signal level	RS485
MA frequency	see table below
Length of position data	32 bit
Length of status data	2 bit (Error and warning, active LOW)
Length of CRC	6 bit (polynomial 0x43, transmitted inverted)
Position data encoding	Binary
Latency time	5,5µs (at 10MHz)
Recovery time	≥ 300ns
Request cycle rate	90 kHz (at 10MHz)



Frequency [kHz]*	OK
100,0	✓
111,1	✓
125,0	✓
142,9	✓
166,7	✓
200,0	✓
250,0	✓
333,3	✓
500,0	✓
625,0	✓
666,7	✓
714,3	✓
769,2	✓
833,3	✓
909,1	✓

Frequency [MHz]*	OK
1,0	✓
1,1	✓
1,2	✓
1,4	✓
1,7	✓
2,0	✓
2,5	✓
3,3	✓
5,0	✓
10,0	✓

* BiSS is a trade mark of ic-Haus GmbH, who tested and specified all these frequencies.